

**GALICHANIN CRANES OF THE KC-75721 SERIES** are mounted on the truck of VOLVO, MZKT, KAMAZ and are designed to work in various conditions, have unique lifting capacities.

For the first time in Russia, together with KAMAZ, a truck crane with loading capacity of 70 tons was made on undercarriages with a 10x4 wheel arrangement.

Boom long is U-shaped, long a 42 meter, a two-stage boom extension (jib), a support contour of 7.4 x 7.2 m, and an expanded package of options are designed to provide technical indicators at the level of world crane construction standards, a high level of reliability, easy of operation and transportation.

#### OPTIONS:

- jib length 9.1 m - 15.1 m;
- counterweights;
- centralized lubrication system;
- single block;
- auxiliary winch;
- air conditioning;
- audio system.



\* depending on the undercarriages



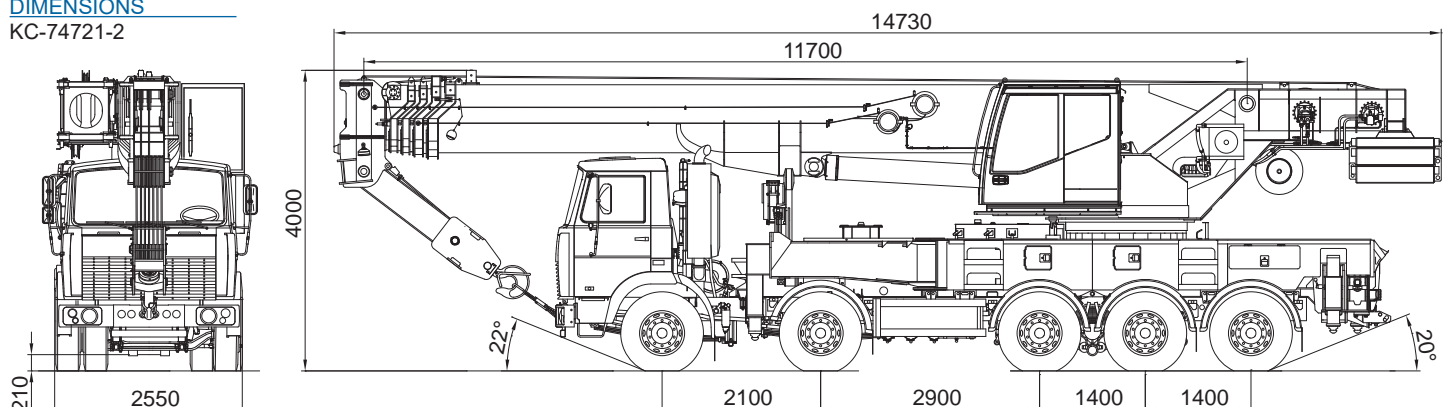
**VOLVO KC-75721**

MODEL	KC-75721	KC-75721-1	KC-74721-2	KC-75721-2	KC-75721-6
Truck chassis	VOLVO FM13	KAMAZ-7330	MZKT-750120	MZKT-750003	MZKT-750002
Wheel arrangement	8x4	10x4	10x4	8x4	8x8
Total length mm	14730	14730	14730	14730	14730
Height mm	3990	3996	4000	3990	4000
Width mm	2550	2550	2550	2550	2250
Front Overhang	14°	21°	22°	15°	24°
Overhang	17°	20°	20°	15°	20°
Load on the first axle, t	9,0	8,75	9,25	8,9	10,2
Load on the second axle, t	9,0	8,75	9,25	8,9	10,2
Load on the rear trolley, t	22,2	16,0	16,0	25,45	24,6
Load on the fifth axle, t	-	9,0	9,0	-	-
Crane weight, t	40,2	42,5	43,5	43,25	45,0
Counterweights versions, t	0+2,5+2,0 +6,5+4,0	0,4+2,0+2,0 +5,8+4,3	0,9+1,5+2,0 +6,5+4,3	0,9+1,5+2,0 +6,5+3,6	0+2,0+2,4+ 6,5+3,6

<sup>1</sup> Without boom extension (jib) and counterweights

#### DIMENSIONS

KC-74721-2





**CRANE KC-75721**

**UNDERCARRIAGE** VOLVO FM13 (8x4) | KAMAZ-7330 (10x4)  
 | MZKT-750002 (8x8) | MZKT-750003 (8x4) | MZKT-750120 (10x4)

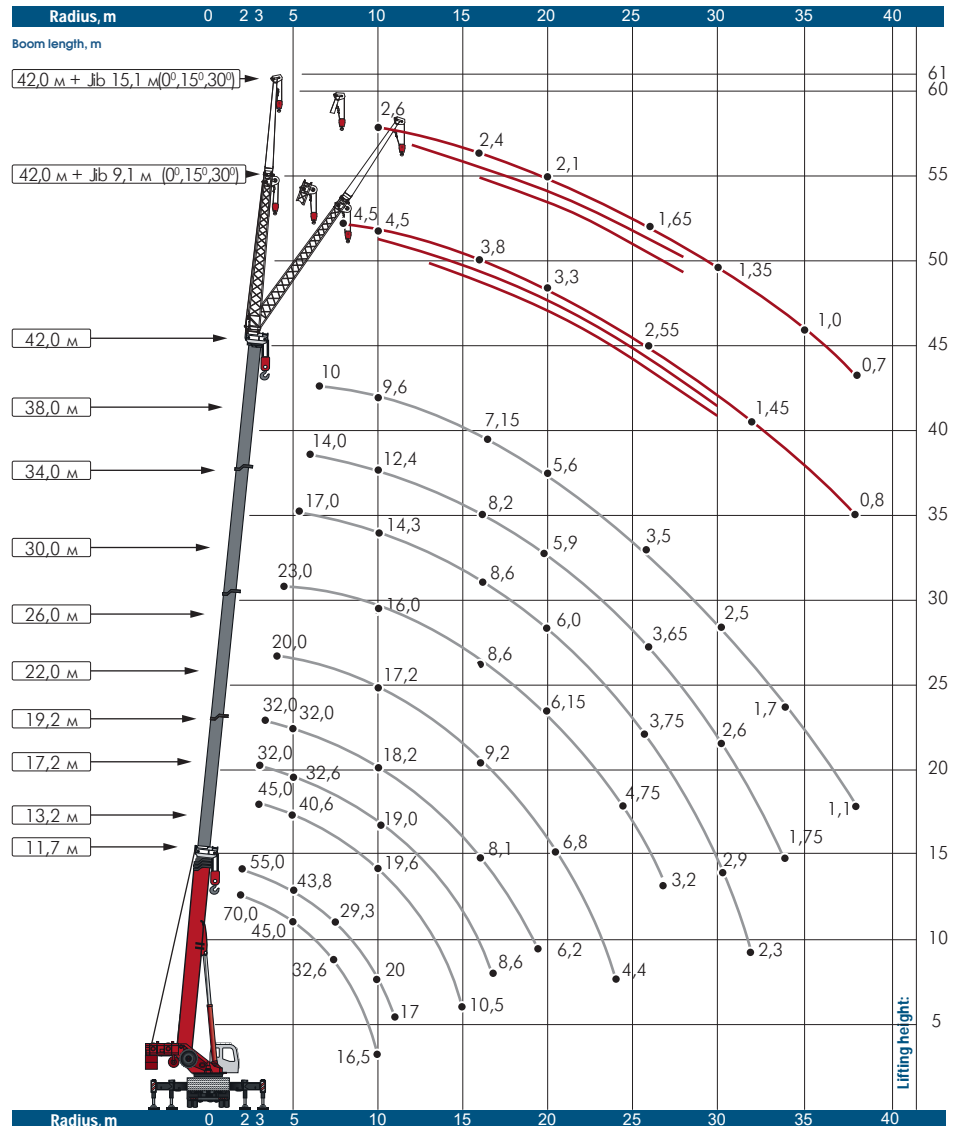
**LIFTING CAPACITIES**

series KC-75721 by the example of KC-75721

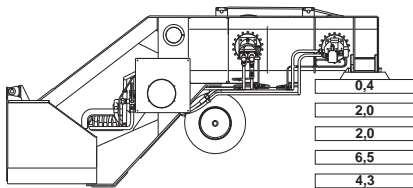
Loading capacity..... 70 t  
 Load moment..... 231 tm  
 Boom length ..... 11,7 - 42,0 m  
 Max. Radius (with jib)..... 38,0 (40,0) m  
 Jib..... 9,1; 15,1 m

**Lifting height:**

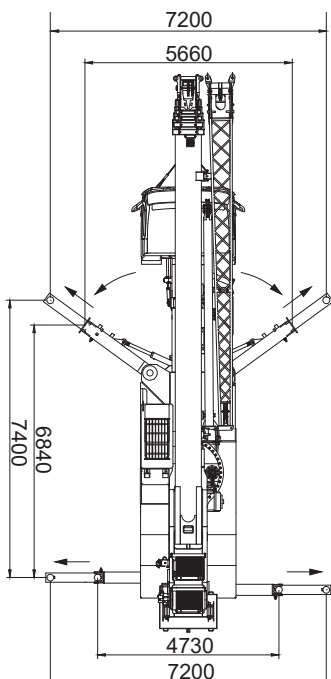
- 42,0 m main boom..... 43,2 m  
 - 42,0 m main boom  
 + 15,1 m boom extension..... 58,2 m  
 Lifting / lowering speed..... 3,2–36,8 m / min  
 Rotational speed..... 1,6 rpm  
 Operating temperature range..... ± 40 ° C  
 Engine..... Cummins | YMZ | VOLVO  
 Travel speed..... 50 km/h



**MOUNTING THE COUNTERWEIGHT**



**K-SHAPED OUTRIGGERS BASE**



KAMAZ KC-75721-1